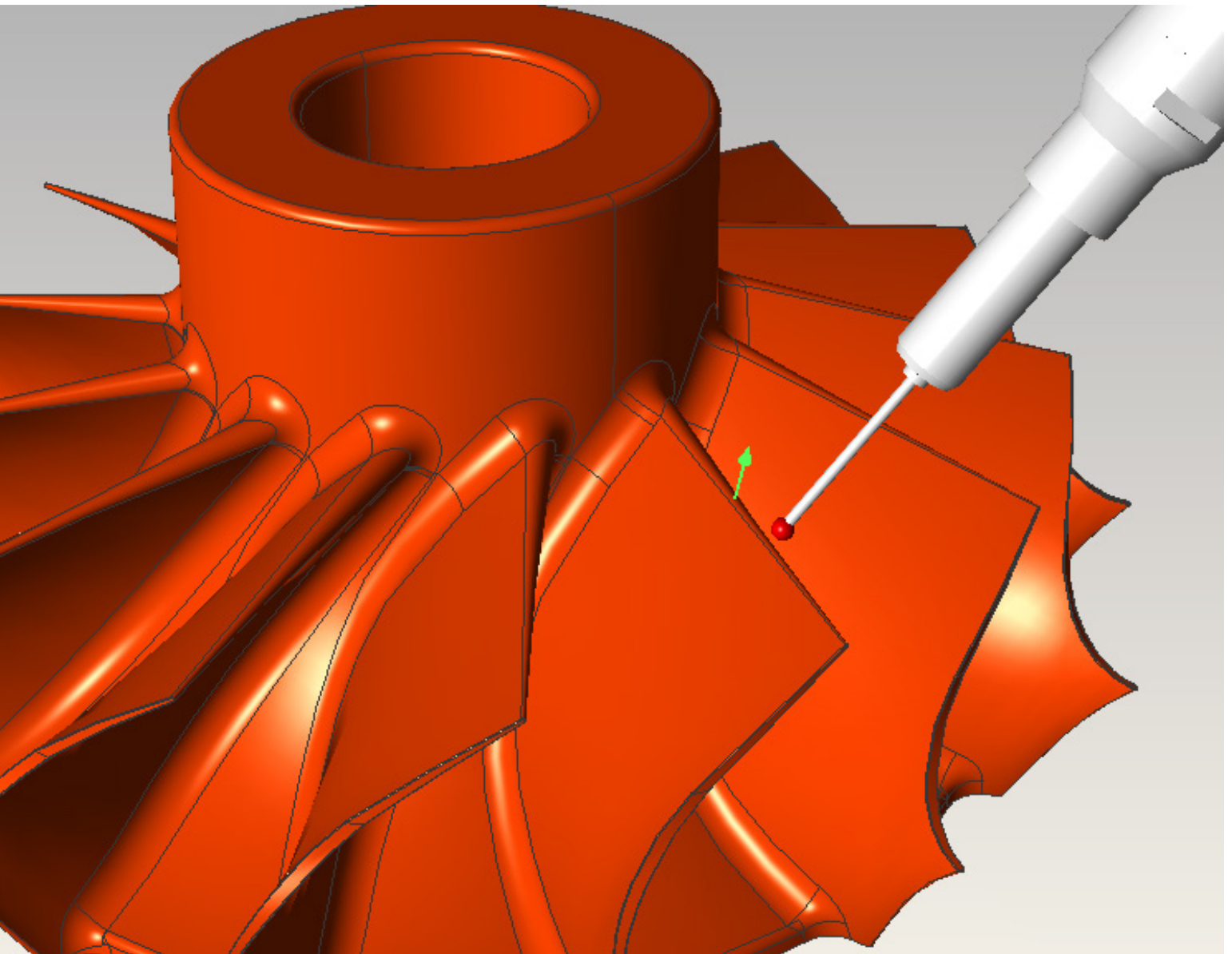


Dukin Co., Ltd.



Worldwide provider of full-range CMM and Neuro-Solution products develops complex measurement simulation systems, supporting all major commercial CAD formats

Market:
CMM

Product:
3D ACIS Modeler, HOOPS

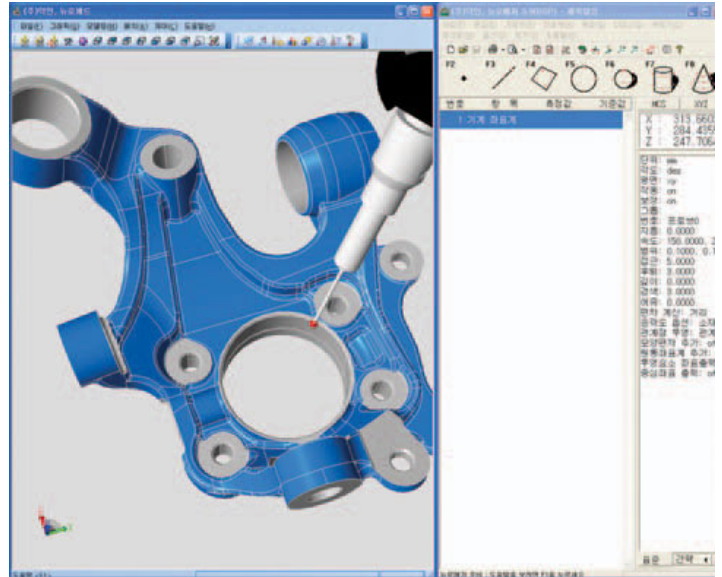
Challenges:
To develop 3D off-line CMM simulation software based on a solid modeling kernel. Would require a close partnership with an established company to develop the new product.

Solutions:
Utilizing ACIS, Dukin software engineers were able to focus on their core technology, minimizing time spent working with the solid modeler, therefore successfully pulling together their new product in less time than they had anticipated.

Results:
Development time has been reduced by more than 30% and their development costs have decreased by 50%.

Solution

Dukin decided to work with Spatial, who could provide ACIS, a solid modeling base for their product. Spatial's Asia team offered efficient consulting services to get them up to speed with the latest technology. With the help of Spatial, Dukin's software engineers were able to focus on their core technology, minimizing time spent working with the solid modeler, therefore successfully pulling together their new product in less time than they had anticipated.



Results

Working with Spatial, Dukin has found that their development time has been reduced by more than 30% and their development costs have decreased by 50%. Spatial's release schedule and frequent service packs keep them up to date with the latest technology in the market. But the biggest advantage that Dukin found working with Spatial was their excellent support team. With the Asia Support team, they were able to get the individual attention and help that they needed, which directly contributed to the success of their product. "Prompt and sincere response from Spatial's technical support team was the key to our success. We received a lot of help while starting our work with ACIS, and we feel that our customers will benefit greatly with the addition of 3D modeling in our software." --Dr.Sang Kyu Lee, Dukin Co., Ltd.

COMPANY

Dukin Co., Ltd. is a worldwide provider of full-range CMM and Neuro-Solution products offering reliable and advanced functionality to the marketplace. The Neuro-Solution products they offer help to cover every aspect of their customer's needs including the advanced support for rotors, impellers, blades, and gears. Dukin targets the Aircraft, Automotive, and Electronics industries and has approximately 700 seats in worldwide and domestic markets.

"Prompt and sincere response from Spatial's technical support team was the key to our success. We received a lot of help while starting our work with ACIS, and we feel that our customers will benefit greatly with the addition of 3D modeling in our software."

--Dr.Sang Kyu Lee, Dukin Co., Ltd.

Challenge

Dukin was looking to develop 3D off-line CMM simulation software based on a solid modeling kernel due to increasing demands from their customers. Their goal was to develop complex measurement simulation systems, supporting all major commercial CAD formats, thereby sustaining their customers' various needs and environments. This procedure required the close partnership with an established company to help them develop their new product.

Our 3DEXPERIENCE platform powers our brand applications, serving 12 industries, and provides a rich portfolio of industry solution experiences.

Dassault Systèmes, the 3DEXPERIENCE Company, provides business and people with virtual universes to imagine sustainable innovations. Its world-leading solutions transform the way products are designed, produced, and supported. Dassault Systèmes' collaborative solutions foster social innovation, expanding possibilities for the virtual world to improve the real world. The group brings value to over 170,000 customers of all sizes in all industries in more than 140 countries. For more information, visit www.3ds.com.

