

CGM HLR

Generate Hidden Line Views for Drawings

Produce easy to interpret drawing data by calculating visible, hidden, silhouette and occluded lines of a 3D model from different perspectives.

GENERATE DIMENSIONS FOR 3D PARTS

Hidden line information is associated to the original CAD model allowing you to calculate curves for their dimensional length.

ANALYZE MODELS FROM SPECIFIC VIEW ANGLES

Hidden line information is associated to the original CAD model allowing you to calculate curves for their dimensional length.

REDUCE DEVELOPMENT TIME

Leverage the APIs in CGM Polyhedra, such as those for Additive Manufacturing data preparation, to quickly add new workflows to your application saving time and development cost.

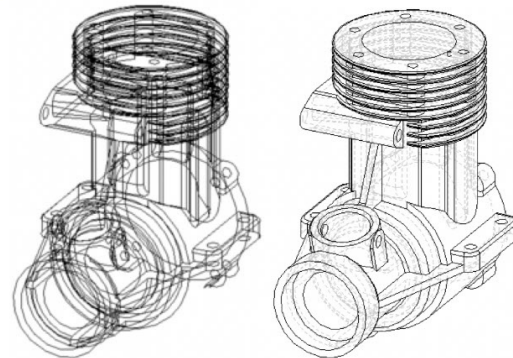
CGM HLR FEATURES

Visibility

Calculate visible properties for optimal drawing sheet curves which are visible, hidden, occluded, and more.

Precise Information

CGM HLR provides rapid and precise hidden line results on large complex 3D models.



Our **3DEXPERIENCE®** platform powers our brand applications, serving 11 industries, and provides a rich portfolio of industry solution experiences.

Dassault Systèmes, the **3DEXPERIENCE** Company, is a catalyst for human progress. We provide business and people with collaborative virtual environments to imagine sustainable innovations. By creating 'virtual experience twins' of the real world with our **3DEXPERIENCE** platform and applications, our customers push the boundaries of innovation, learning and production.

Dassault Systèmes' 20,000 employees are bringing value to more than 270,000 customers of all sizes, in all industries, in more than 140 countries. For more information, visit www.3ds.com.



3DEXPERIENCE®