

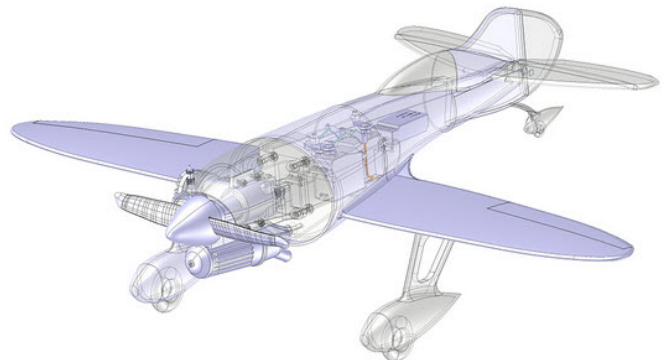
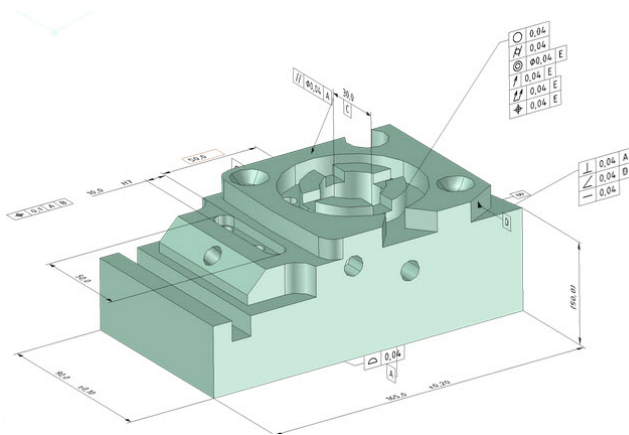


3D INTEROP

CAD TRANSLATION SOFTWARE PROVIDING THE BEST GEOMETRY FOR DOWNSTREAM APPLICATIONS

Spatial's 3D Interoperability is the industry-leading 3D CAD data translation software development toolkit. It enables your customers to work with imported 3D data as easily as if it was created natively in your own application, as well as export the 3D data for downstream engineering applications.

3D InterOp's architecture enables users to optimize the interaction with their 3D data. 3D InterOp supports 3D file sharing between all major 3D/CAD data exchange formats that are required in leading engineering applications and supports 3D CAD/CAM data exchange for any modeler including 3D ACIS Modeler, CGM Modeler, and Parasolid.



CAD Translation Software That Allows You to:

- Read and write all major CAD files without purchasing additional licenses
- Erase barriers across clients and vendors
- Escape millions of costly CAD file conversion errors



See More

Supported File Formats for CAD Data Exchange

- CATIA
- Solidworks
- Microstation
- Siemens Parasolid
- Autodesk Revit



See dozens of [additional supported file formats](#)

Benefits of CAD Conversion Software Development Kits

PRODUCTIVITY



Eliminate Unnecessary CAD Licensing Costs

SDKs support every major CAD format out of the box. Read and write any CAD format without additional licensing costs.

Prevent Costly Conversion Errors

Spatial SDKs have converted CAD files successfully millions of times more than competing software.

Slash Your Software Development Costs

The development process is simplified by guaranteed compatibility across all features and tools in the Spatial library.

COMPETITIVE



Sell to Every Industry & Customer Using CAD Models

Develop CAD applications for users on Windows, Linux, and Mac OS X. Spatial SDKs support all common development languages.

Win the Race for Delivering New Features

As a subsidiary of Dassault Systemes, Spatial guarantees the latest CAD capabilities and compatibilities in its SDKs - as they become available to the market.

Circle Back to Missed Markets

Develop features that you were previously unable to deliver, especially to users in new or untapped markets.

QUALITY



Greater Quality Through Your Workflow

As the industry's highest quality solution for 3D data reuse, 3D InterOp reduces development risk in your application and in downstream applications.


Preserved Geometry and Design Intent

3D InterOp goes beyond "import with no errors" by delivering 3D data that preserves the original design intent throughout the process.

Increase Application Performance

Spatial continues to focus on leveraging multiprocessing/multithreading, direct translation, and improved algorithms to provide faster and better 3D data access.

By providing the highest quality of 3D data reuse with the ability to selectively import product data, including structure, graphics data, geometry, and manufacturing information from a variety of leading CAD file formats and neutral formats, 3D InterOp offers a means to true competitive differentiation, faster time-to-revenue, and greater quality in your application.

 [Learn More or Request an Evaluation](#)